

TEXELIS DÉVOILE LA NOUVELLE GÉNÉRATION DE BOGIES À INNOTRANS 2018

First Texelis bogies to begin service in Rennes, France

Limoges, France; 18th September 2018: A new generation of bogies forms the core of the Texelis display at InnoTrans 2018 being held in Berlin from 18 to 21 September. On stand 319, in Hall 20, Texelis is showing how it has developed from being a supplier of axles and drives for rail transport into the leading supplier of innovative mobility systems for APMs, metros and trams.

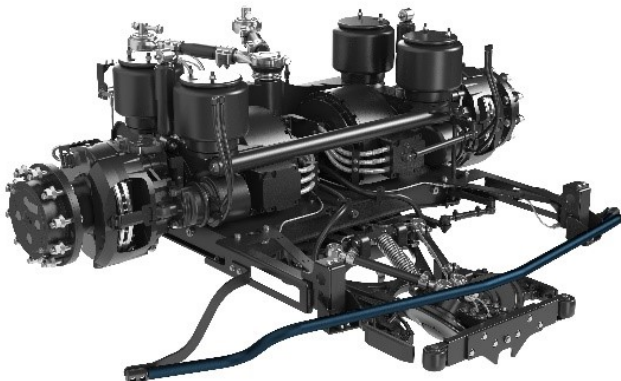
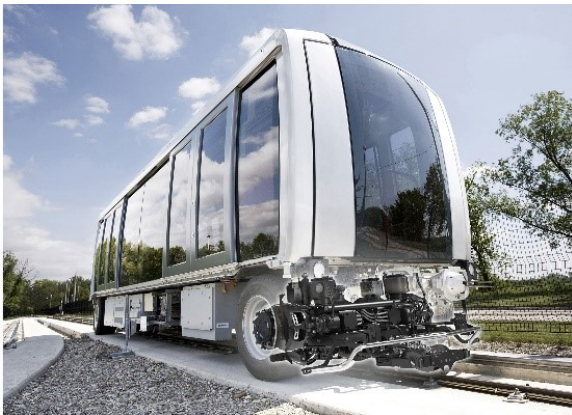
The first bogies produced by Texelis, in partnership with Siemens, will enter service in Rennes, France this year on Siemens Neoval APMs. These innovative transmission solutions have a single, fixed guide rail and a load capacity of more than 14 tons and will also be entering service in Frankfurt and Bangkok shortly

“This is a big step for Texelis and part of our strategic plan to move from being a supplier of components to becoming a key partner for a critical part of the rail vehicle,” said Jean Vandel, Director Business Development at Texelis.

“The development demonstrates our ability, based on 60 years’ experience, to provide complete systems, not just components. We are significantly reducing the risk for the operators, as they can bank on proven, reliable, cost efficient and innovative Texelis solutions, some of which offer as much as 1 million kilometres in between overhauls,” added Mr Vandel.

Texelis solutions are based on a deep understanding of the requirements of the railway industry, with many axles still in service after 30 years. A core element of the design stage has been to ensure low life cycle costs, and this has been built into more than 15,000 axles and 5,500 gearboxes currently in global use.

The company has demonstrated its commitment to long term support and can provide full MRO, upgrading and re-engineering, in-service preventative maintenance, obsolescence management and comprehensive training solutions.



The Texelis manufactured bogie system fitted to the Siemens Neoval APM.

About Texelis

Texelis has been designing and producing axle systems and drivelines for military vehicles, metro, trams, busses and trucks for over 60 years. Its key expertise is converting the power generated by the motor, of whatever type, into effective vehicle motion.

The company, which employs more than 300 staff, operates from a 35,000m² manufacturing facility in Limoges, France, which is currently undergoing a multi-million euro modernisation programme. Texelis has an annual turnover in excess of 80m€ and a pedigree stretching back over 60 years of supplying efficient, reliable and innovative engineered solutions. For further information please visit www.texelis.com.

For further information or high resolution version of the images, please contact:

Mark Broughton

Marontech Communications

Tel: +44 (0) 2897 518000 or Mobile: +44 (0) 7880 506345

E-mail: mark.broughton@marontech.co.uk